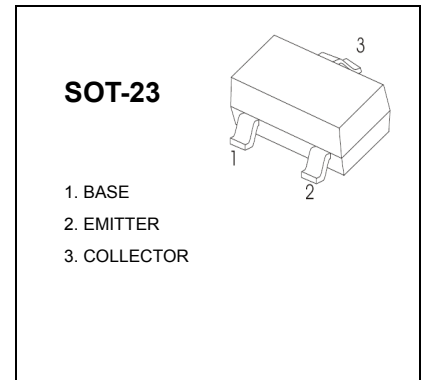


TRANSISTOR PNP

FEATURES

High voltage transistor

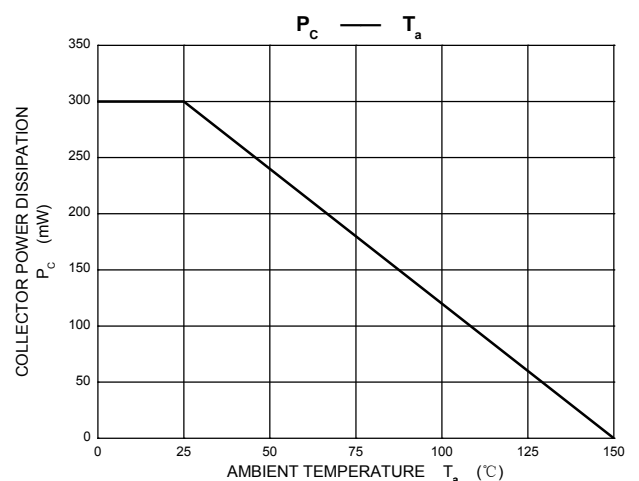
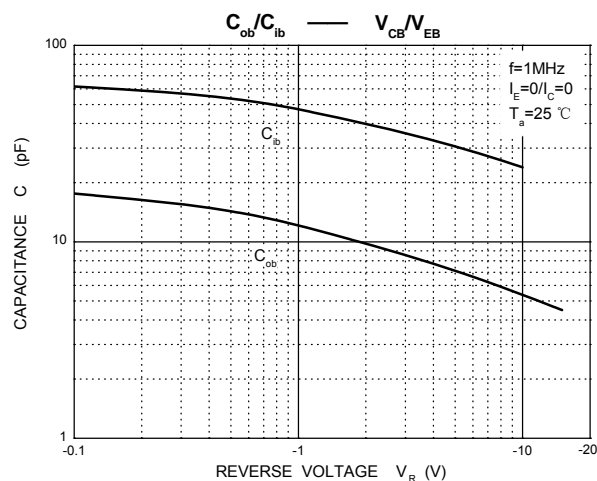
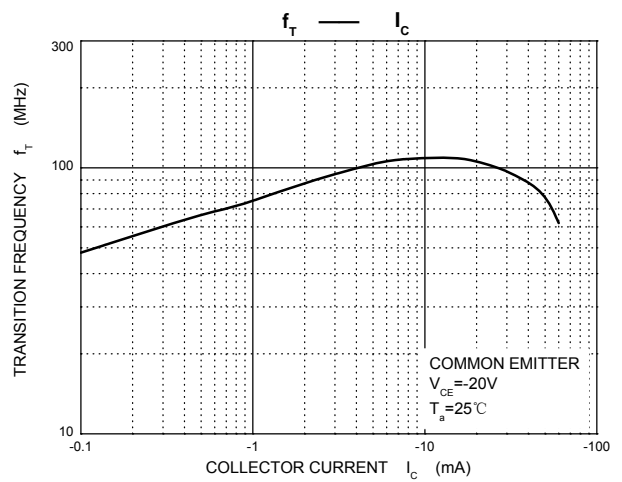
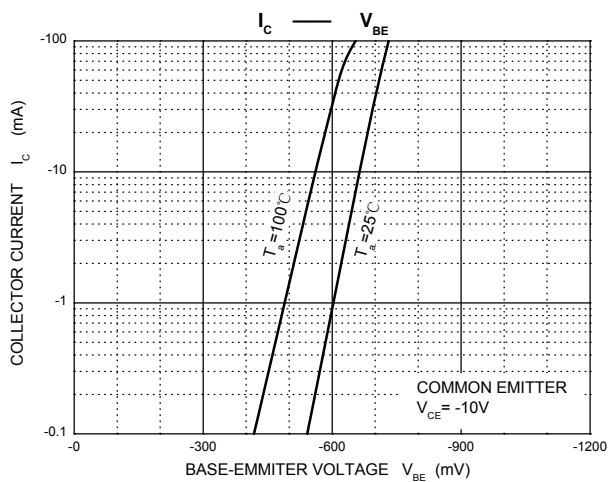
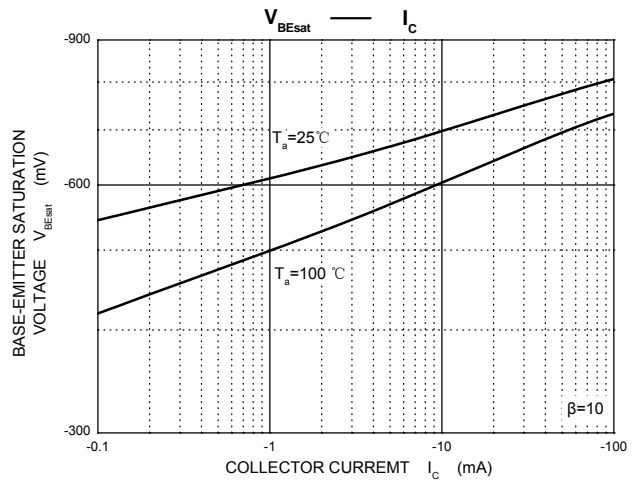
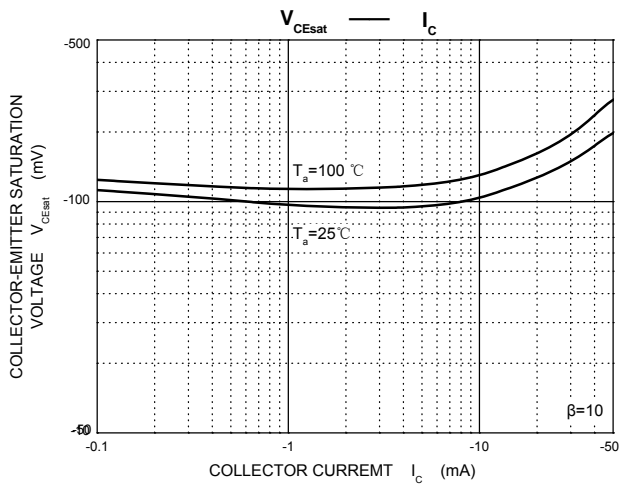
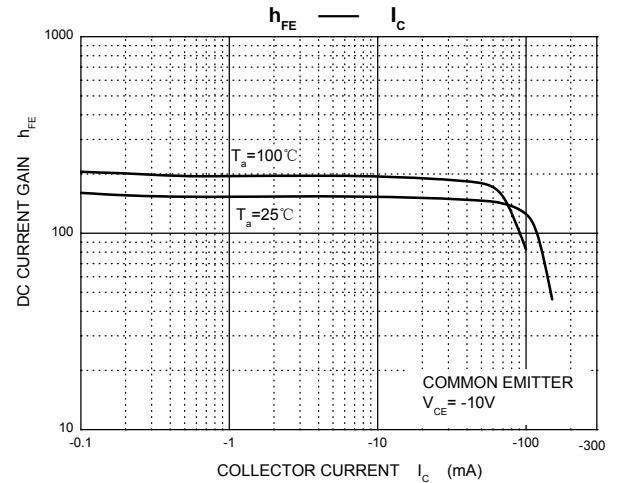
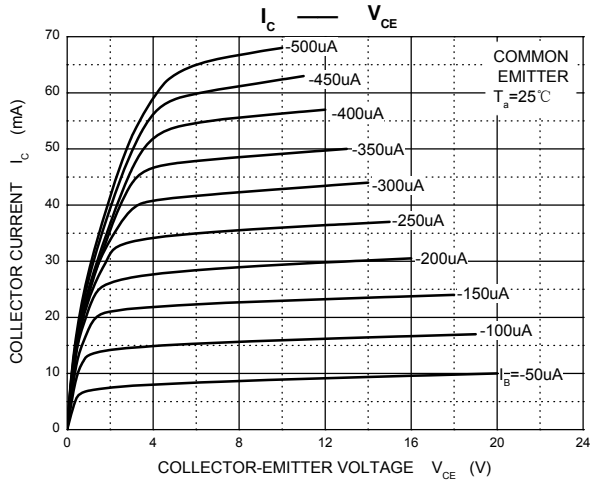


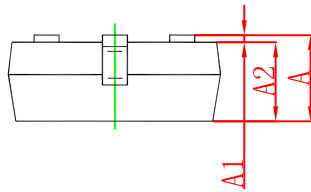
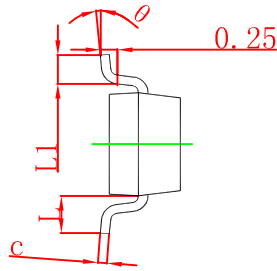
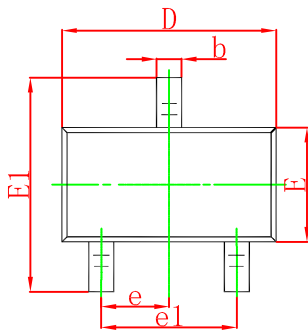
MAXIMUM RATINGS (T_a=25°C unless otherwise noted)

| Symbol | Parameter | Value | Unit |
|------------------|---|---------|------|
| V _{CB0} | Collector-Base Voltage | -300 | V |
| V _{CEO} | Collector-Emitter Voltage | -300 | V |
| V _{EBO} | Emitter-Base Voltage | -5 | V |
| I _C | Collector Current -Continuous | -200 | mA |
| I _{CM} | Collector Current -Pulsed | -500 | mA |
| P _C | Collector Power Dissipation | 300 | mW |
| T _J | Junction Temperature | 150 | °C |
| T _{stg} | Storage Temperature | -55-150 | °C |
| R _{θJA} | Thermal Resistance From Junction To Ambient | 417 | °C/W |

ELECTRICAL CHARACTERISTICS (T_a=25°C unless otherwise specified)

| Parameter | Symbol | Test conditions | Min | Max | Unit |
|--------------------------------------|----------------------|--|------|-------|------|
| Collector-base breakdown voltage | V _{(BR)CBO} | I _C = -100μA, I _E =0 | -300 | | V |
| Collector-emitter breakdown voltage | V _{(BR)CEO} | I _C = -1mA, I _B =0 | -300 | | V |
| Emitter-base breakdown voltage | V _{(BR)EBO} | I _E = -100μA, I _C =0 | -5 | | V |
| Collector cut-off current | I _{CBO} | V _{CB} =-200V, I _E =0 | | -0.25 | μA |
| Emitter cut-off current | I _{EBO} | V _{EB} = -5V, I _C =0 | | -0.1 | μA |
| DC current gain | h _{FE(1)} | V _{CE} = -10V, I _C = -1mA | 60 | | |
| | h _{FE(2)} | V _{CE} = -10V, I _C =-10mA | 100 | 200 | |
| | h _{FE(3)} | V _{CE} = -10V, I _C =-30mA | 60 | | |
| Collector-emitter saturation voltage | V _{CE(sat)} | I _C =-20mA, I _B = -2mA | | -0.2 | V |
| Base-emitter saturation voltage | V _{BE(sat)} | I _C = -20mA, I _B = -2mA | | -0.9 | V |
| Transition frequency | f _T | V _{CE} =-20V, I _C = -10mA f=30MHz | 50 | | MHz |





| Symbol | Dimensions In Millimeters | | Dimensions In Inches | |
|--------|---------------------------|-------|----------------------|-------|
| | Min | Max | Min | Max |
| A | 0.900 | 1.150 | 0.035 | 0.045 |
| A1 | 0.000 | 0.100 | 0.000 | 0.004 |
| A2 | 0.900 | 1.050 | 0.035 | 0.041 |
| b | 0.300 | 0.500 | 0.012 | 0.020 |
| c | 0.080 | 0.150 | 0.003 | 0.006 |
| D | 2.800 | 3.000 | 0.110 | 0.118 |
| E | 1.200 | 1.400 | 0.047 | 0.055 |
| E1 | 2.250 | 2.550 | 0.089 | 0.100 |
| e | 0.950 TYP | | 0.037 TYP | |
| e1 | 1.800 | 2.000 | 0.071 | 0.079 |
| L | 0.550 REF | | 0.022 REF | |
| L1 | 0.300 | 0.500 | 0.012 | 0.020 |
| θ | 0° | 8° | 0° | 8° |